

## Modification of Technical Specification



# Introduction of connector coding for KS1/KS2



**The Technical Specification of ESX-3XL was modified to avoid an interchange of KS1 and KS2 connectors by mistake. Please take notice of following changes in ESX-3XL User Manual (28.01.2008, V0.12r0).**

### Contents

Contents.....	1
I. ESX-3XL – User Manual History (extract).....	2
II. ESX-3XL - Mainboard - Hardware – Connectors .....	2
Connectors .....	2
Connector pins (male) from ESX-3XL (picture still without coding) .....	2
III. ESX-3XL - Mainboard - Hardware - Connectors - Coding .....	2
Coding (KS1 → CODE-A, KS2 → CODE-B).....	2
IV. ESX-3XL - Mainboard - Hardware - Connectors - Applicable connectors.....	3
Receptacles for KS1 and KS2 .....	3
Connector pins (female) (picture with CODE-A).....	4
Female housing assembly with coding .....	4
Cover options (lever assembly types for wire direction variation).....	5
Cable outlet configurations (TYPE-A, TYPE-B) .....	6
Lever assembly lock handling.....	6
V. ESX-3XL - Mainboard - Hardware - Connectors - Alternative applicable connectors .....	7
Alternative receptacles for KS1 and KS2 .....	7
Female housing assembly with coding (alternative).....	8
Cover options.....	8
Cable outlet configuration.....	8
VI. ESX-3XL - Mainboard - Hardware - Connectors - 2x 81pos connectors sample kit .....	9
2x 81pos connectors sample kit, KS1/KS2, STW article code: 314 .....	9

## I. ESX-3XL – User Manual History (extract)

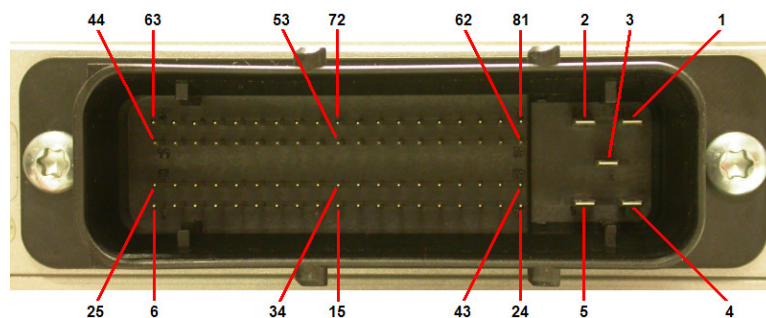
Version	When	Who	What
0.12r0	28.01.2008	JLA/STW	description of connector coding A/B for KS1/KS2 added (1), description of connectors sample kit added, connector descriptions collected in a own sublevel "Connectors", product pictures of BOB and TUX adapter cable added, style sheet adapted for links in table head lines

## II. ESX-3XL - Mainboard - Hardware – Connectors

### Connectors

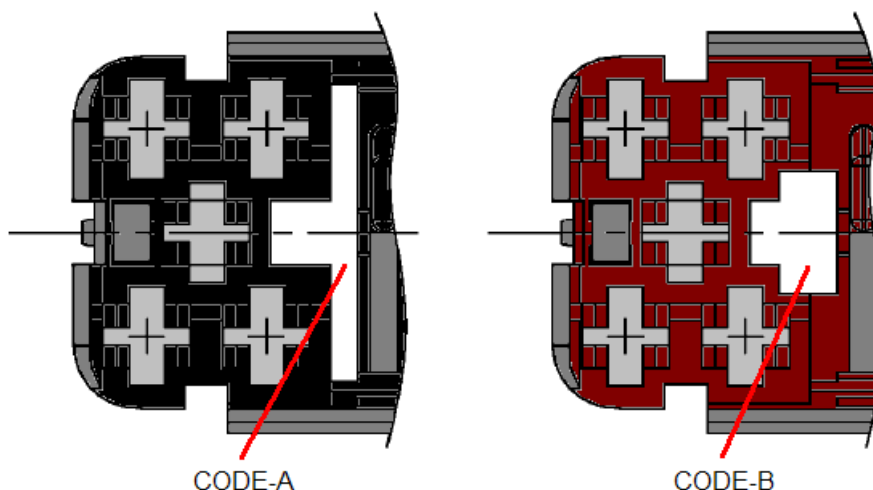
- 2x 81pos coded automotive connectors (male, KS1 with CODE-A, KS2 with CODE-B)
- 5 (x 2 = 10) JPT contacts (**Pwr**), max. 15 A,  $\varnothing$  2.5 mm<sup>2</sup>
- 76 (x 2 = 152) MQS contacts (**Sig**), max. 4 A,  $\varnothing$  0.75 mm<sup>2</sup>
- STW offers a complete 2x 81pos receptacle connectors sample kit

### Connector pins (male) from ESX-3XL (picture still without coding)



## III. ESX-3XL - Mainboard - Hardware - Connectors - Coding

### Coding (KS1 → CODE-A, KS2 → CODE-B)



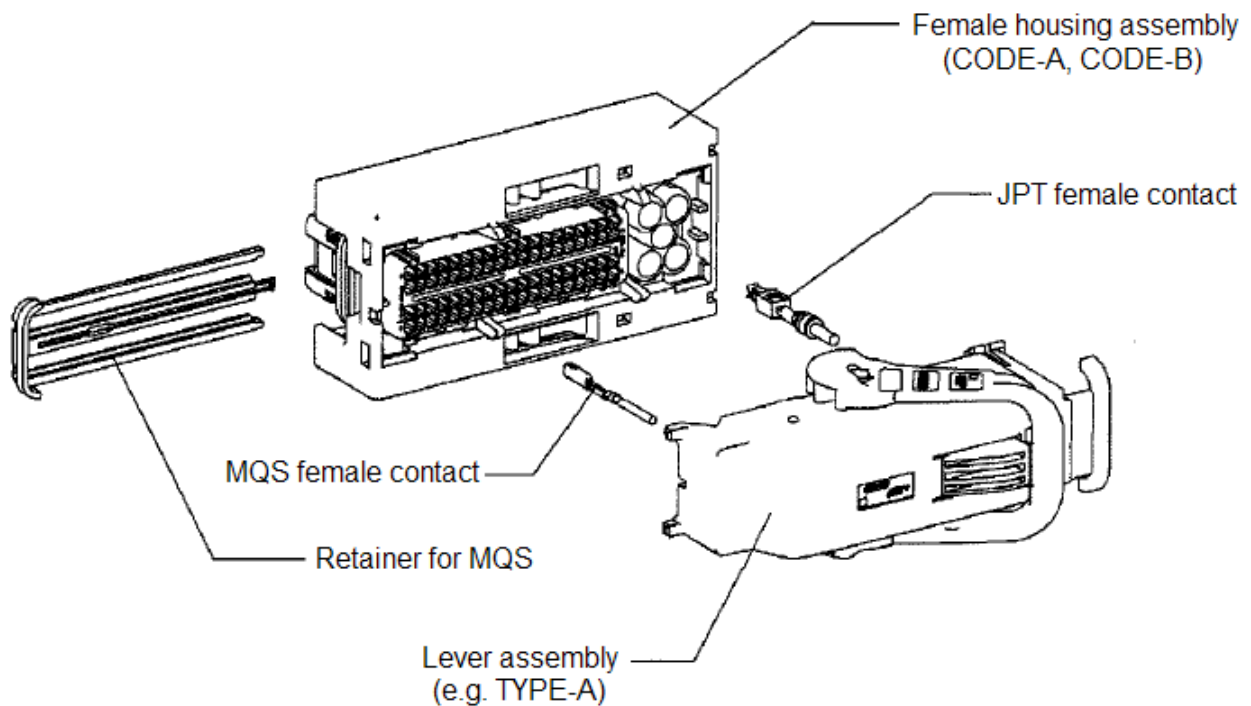
## IV. ESX-3XL - Mainboard - Hardware - Connectors - Applicable connectors

### Receptacles for KS1 and KS2



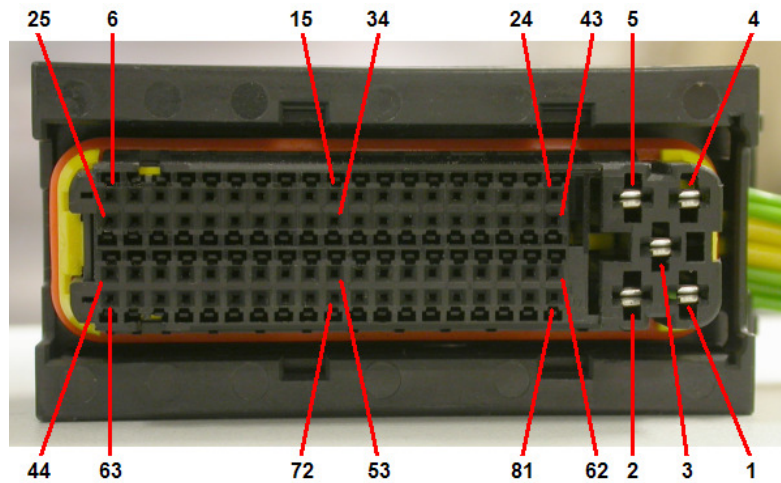
Note:

For further details to 81pos receptacle connectors (part numbers etc.) please refer to document "**Sealed MQS/JPT 81/40pos Connector**" (document search → document number: **411-78008**) on Tyco Electronics homepage

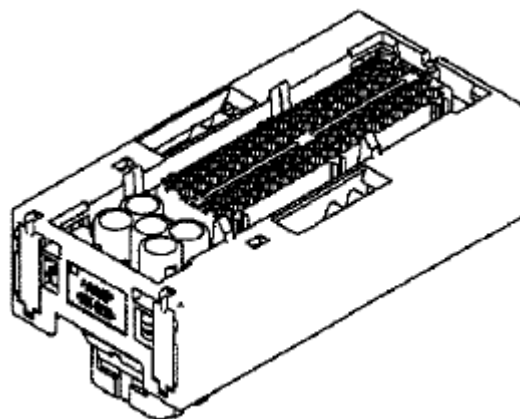


- 2x 81pos **codes** automotive [connectors \(female\)](#)
- with secondary locking
- IP67 (dust tight, immersion up to 1 m)
- 5 (x 2 = 10) JPT contacts (**Pwr**), max. 15 A,  $\varnothing$  2.5 mm<sup>2</sup>
- 76 (x 2 = 152) MQS contacts (**Sig**), max. 4 A,  $\varnothing$  0.75 mm<sup>2</sup>
- available for [cable outlet configurations](#) left/left, left/right, right/right by using different [covers \(lever assemblies\)](#)
- standard [Tyco Electronics](#) connectors
- **STW** offers a complete [2x 81pos receptacle connectors sample kit](#)

**Connector pins (female) (picture with **CODE-A**)**

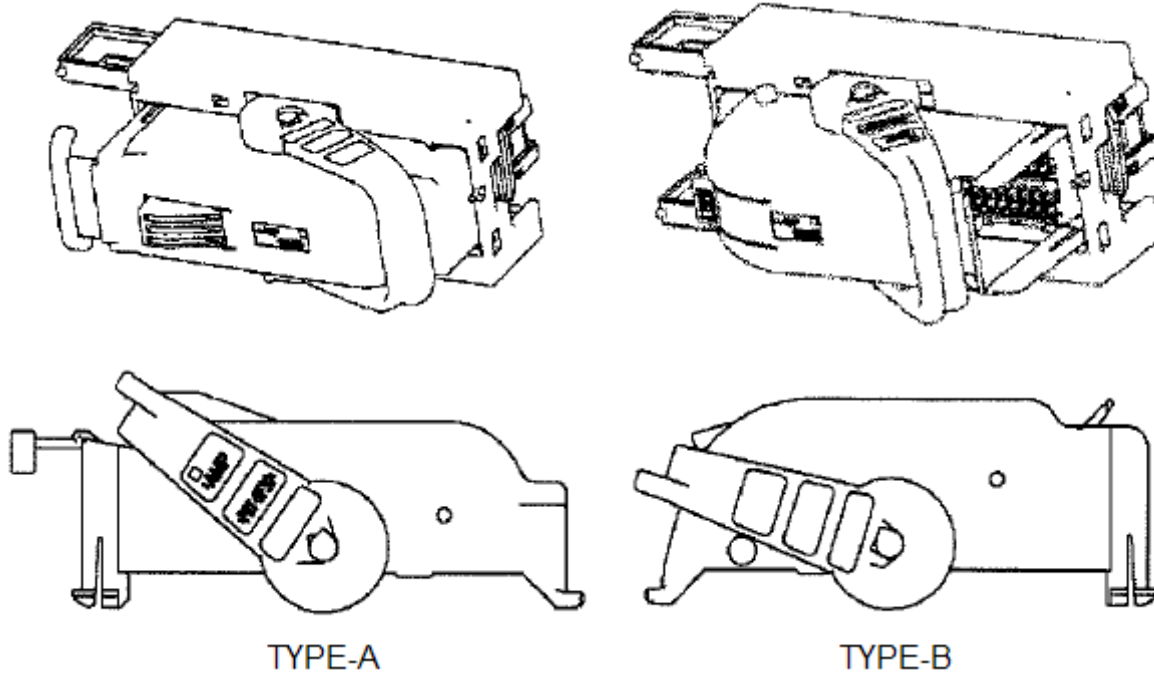


**Female housing assembly with coding**



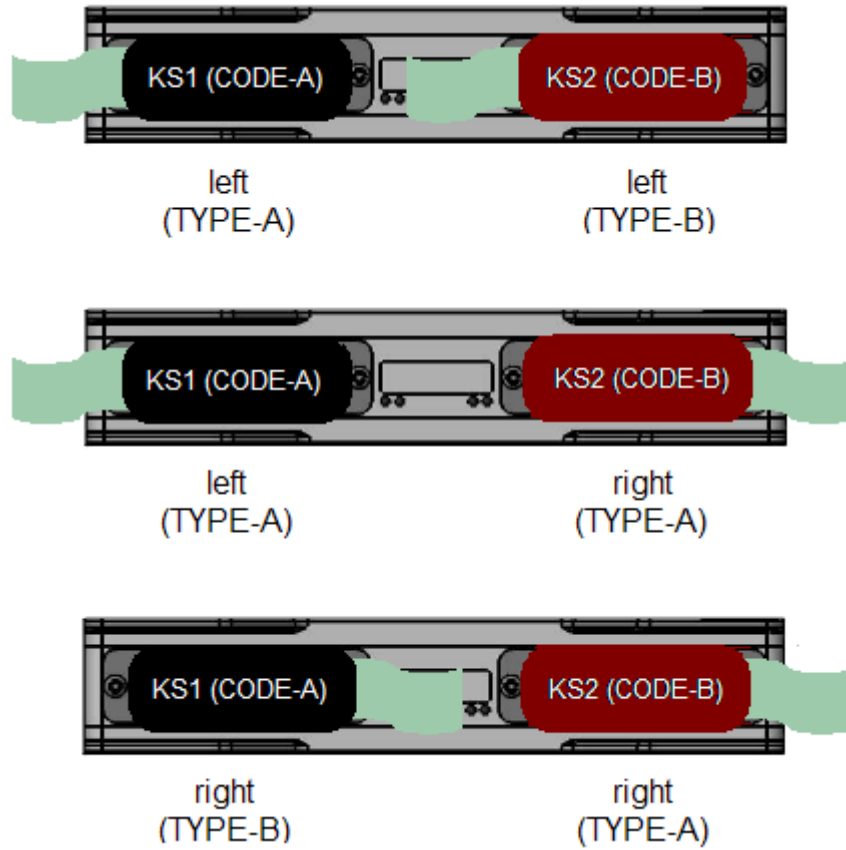
Tyco part number	Product name
1473244-1	81pos plug housing assembly, female, MQS/JPT, <b>CODE-A for KS1 (black)</b>
... TBD ...	81pos plug housing assembly, female, MQS/JPT, <b>CODE-B for KS2 (red)</b>
368382-1	Retainer for 81pos MQS Plug
e.g. 964273-2	Female JPT contact (1.0 mm <sup>2</sup> .. 2.5 mm <sup>2</sup> )
e.g. 968221-1	Female MQS clean body contact (0.5 mm <sup>2</sup> .. 0.75 mm <sup>2</sup> , Sn)
963292-1	Sealing for JPT (ø = 2.7 mm .. 3.0 mm)
828922-1	Cavity plug for JPT (ø = 6.2 mm)
936054-1	Cavity plug for MQS

**Cover options (lever assembly types for wire direction variation)**

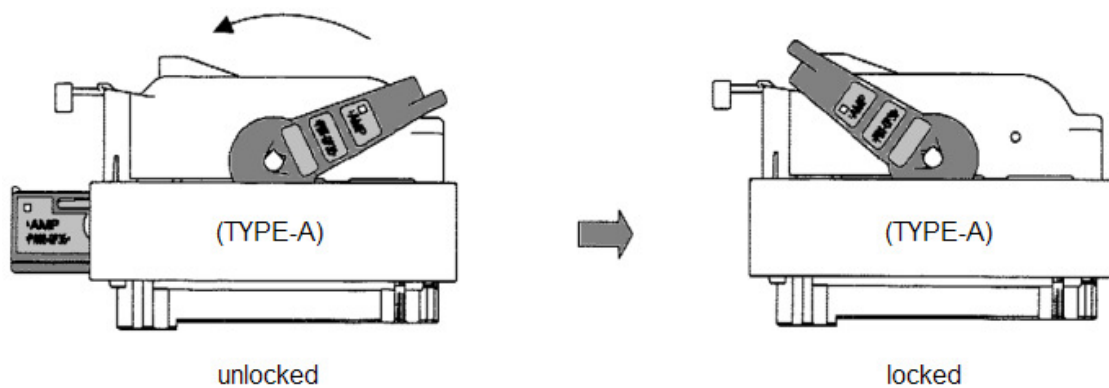


Tyco part number	Product name
1473247-1	81pos lever assembly, TYPE-A, same direction as JPT contact side (straight cover) → outwards
1473250-1	81pos lever assembly, TYPE-B, same direction as MQS contact side (angulate cover) → inwards

**Cable outlet configurations (TYPE-A, TYPE-B)**



**Lever assembly lock handling**





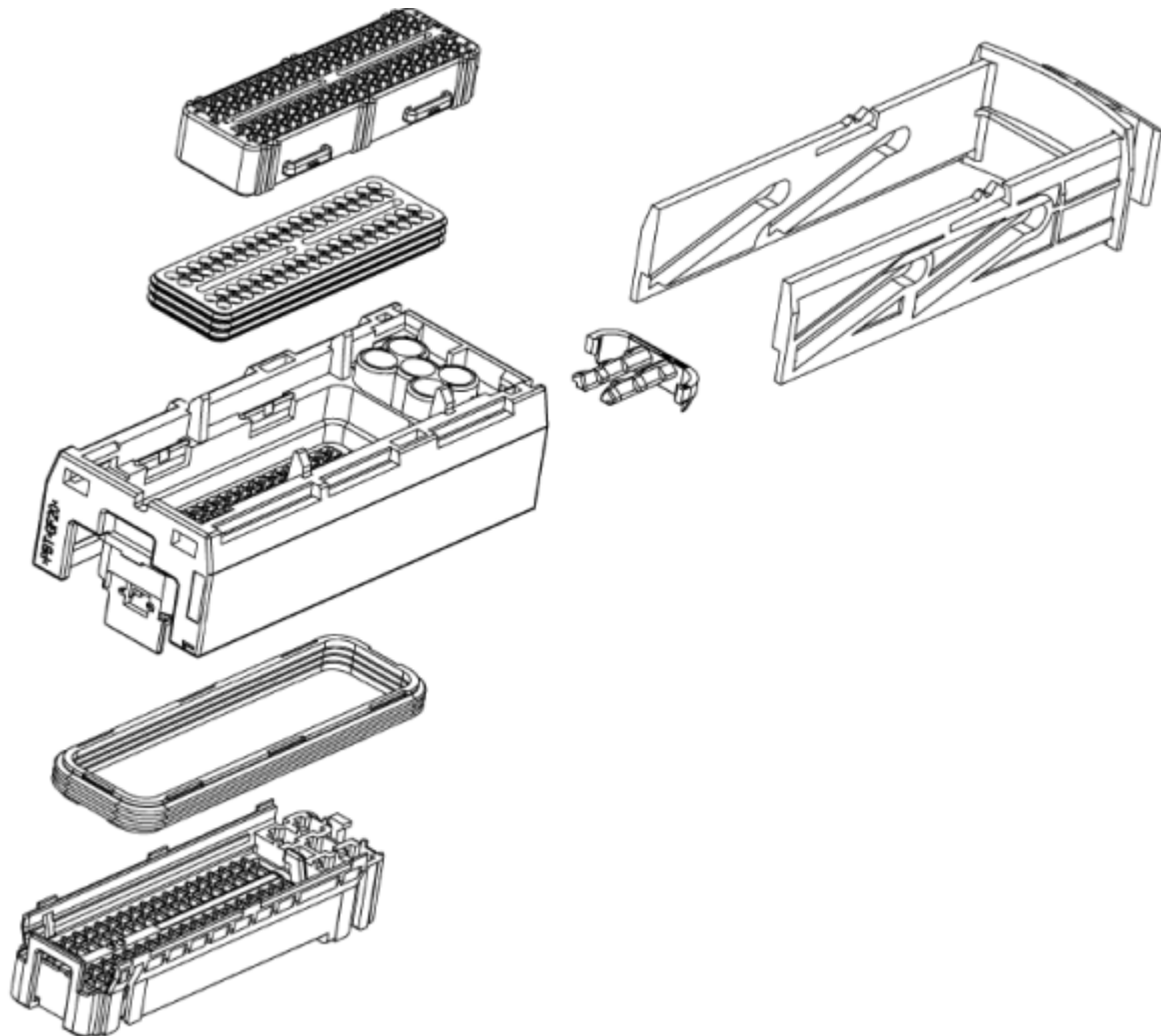
## V. ESX-3XL - Mainboard - Hardware - Connectors - Alternative applicable connectors

### Alternative receptacles for KS1 and KS2



Note:

For further details to 81pos receptacle connectors (part numbers etc.) please refer to Tyco Electronics homepage



- 2x 81pos **coded** automotive [connectors \(female\)](#)
- with secondary locking
- 5 (x 2 = 10) JPT contacts (**Pwr**), max. 15 A,  $\varnothing$  2.5 mm<sup>2</sup>
- 76 (x 2 = 152) MQS contacts (**Sig**), max. 4 A,  $\varnothing$  0.75 mm<sup>2</sup>
- available for [cable outlet configuration](#) left/right only ([cover options](#))
- standard [Tyco Electronics](#) connectors





**VI. ESX-3XL - Mainboard - Hardware - Connectors - 2x 81pos connectors sample kit**

**2x 81pos connectors sample kit - YGSETST1, STW article code: 35945**



Amount	Tyco part number	Product name
1	1473244-1	81pos plug housing assembly, female, MQS/JPT, <b>CODE-A (black)</b>
1	... TBD ...	81pos plug housing assembly, female, MQS/JPT, <b>CODE-B (red)</b>
2	1473247-1	81pos lever assembly, TYPE-A (straight) → outwards
2	1473250-1	81pos lever assembly, TYPE-B (angulate) → inwards
2	368382-1	Retainer for 81pos MQS Plug
12	964273-2	Female JPT contact (1.0 mm <sup>2</sup> .. 2.5 mm <sup>2</sup> )
160	968221-1	Female MQS clean body contact (0.5 mm <sup>2</sup> .. 0.75 mm <sup>2</sup> , Sn)
6	963292-1	Sealing for JPT (ø = 2.7 mm .. 3.0 mm)
6	828922-1	Cavity plug for JPT (ø = 6.2 mm)
80	936054-1	Cavity plug for MQS